

**HUMBOLDT COUNTY BUILDING DEPARTMENT
CITY OF WINNEMUCCA BUILDING DEPARTMENT
ACCESSIBLE RESTROOM REQUIREMENTS**

Referenced Code: ICC/ANSI A117.1-2009 – Accessible and Usable Buildings and Facilities & 2012
International Building Code

Toilet and Bathing Rooms (Section 603)

General: Accessible toilet and bathing rooms shall comply with Section 603.

Overlap: Clear floor spaces, clearances at fixtures, maneuvering clearances at doors, and turning spaces shall be permitted to overlap. Section 301.2

Turning Space:

Circular Space: The turning space shall be a circular shape with a 60-inch minimum diameter. The turning space shall be permitted to include knee and toe clearance complying with Section 306. Section 304.3.1

T-Shaped Space: The turning space shall be T-shaped space within a 60-inch minimum square, with arms and base 36 inches minimum in width. Each arm of the T shall be clear of obstructions 12 inches minimum in each direction, and the base shall be clear of obstructions 24 inches minimum. The turning space shall be permitted to include knee and toe clearance complying with Section 306 only at the end of either the base or one arm. Section 304.3.2

Clear Floor Space:

Floor surfaces of a clear floor space shall comply with Section 302. Changes in level are not permitted within the clear floor space. Section 305.2

The clear floor space shall be 48" minimum in length and 30" minimum in width. Section 305.3

Toe Clearance:

Space beneath an element between the floor and 9" above the floor shall be considered toe clearance and comply with section 306.2. Section 306.2.1

Maximum depth: Toe clearance shall be permitted to extend 25" maximum under element. Section 306.2.2

Minimum depth: Where toe clearance is required at an element as part of a clear floor space, the toe clearance shall extend 17" minimum beneath the element. Section 306.2.3

Additional Clearance: Space extending greater than 6" beyond the available knee clearance at 9" above the floor shall not be considered toe clearance. Section 306.2.4

Width: Toe clearance shall be 30" minimum in width. Section 306.2.5

Knee Clearance:

Space beneath an element between 9" and 27" above the floor shall be considered knee clearance and shall comply with Section 306.3. Section 306.3.1

Maximum depth: Knee clearance shall be permitted to extend 25" maximum under an element at 9" above the floor. Section 306.3.2

Minimum depth: Where knee clearance is required beneath an element as part of a clear floor space, the knee clearance shall be 11" minimum in depth at 9" above the floor, and 8" minimum in depth at 27" above the floor. Section 306.3.3

Clearance reduction: Between 9" and 27" above the floor, the knee clearances shall be permitted to be reduced at a rate of 1" in depth for each 6" in height. Section 306.3.4

Width: Knee clearance shall be 30" minimum in width. Section 306.3.5

Reach Ranges:

Forward Reach – 308.2

When forward reach is unobstructed, the high forward reach shall be 48" maximum and the low forward reach shall be 15" minimum above the floor. Section 308.2.1

Where a high forward reach is over an obstruction, the clear floor space complying With Section 305 shall extend beneath the element for a distance of nto less than the required reach depth over the obstruction. The high forward reach shall be 48" maximum above the floor whre the reach depth is 20" maximum. Where the reach depth exceeds 20", the high forward reach shall be 44" maximum above the floor, and the reach depth shall be 25" maximum. Section 308.2.2

Side Reach – 308.3

Where a clear floor space complying with Section 305 allows a parallel approach to an element and the edge of the clear floor space is 10" maximum for the element, the high side reach shall be 48" maximum and the low side reach shall be 15" minimum above the floor. Section 308.3.1

Where a clear floor space complying with Section 305 allows a parallel approach to an element and the high side reach is over an obstruction, the height of the obstruction shall be 34" maximum above the floor and the depth of the obstruction shall be 24" maximum. The high side reach shall be 48" maximum above the floor for a reach depth of 10" maximum. Where the reach depth exceeds 10" the high side reach shall be 46" maximum above the floor for a reach depth of 24" maximum. Section 308.3.2

Operable Parts: A clear floor space complying with Section 305 shall be provided. Section 309.2
Operable parts shall be placed within one or more of the reach ranges specified in Section 308. Section 309.3
Operable parts shall be operable with one hand and shall not require tight grasping, pinching, or twisting of the wrist. The force required to activate operable parts shall be 5.0 lbs maximum. Section 309.4

Door Swing: Doors shall not swing into clear floor space or clearance for any fixtures. (Exceptions) Section 603.2.2

Mirrors: Where mirrors are located above lavatories, a mirror shall be located over the accessible lavatory and shall be mounted with the bottom edge of the reflecting surface 40" maximum above the floor.
Where mirrors are located above countertops that do not contain lavatories, the mirror shall be mounted with the bottom edge of the reflecting surface 40" maximum above the floor.
Section 603.3

Coat Hooks and Shelves:

Unobstructed: Where a forward reach is unobstructed, the high forward reach shall be 48" maximum and the low forward reach shall be 15" minimum above the floor. Section 308.2.1
Obstructed High Reach: Where a high forward reach is over an obstruction, the clear floor space shall extend beneath the element for a distance of not less than the required reach depth over the obstruction. The high forward reach shall be 48" maximum where the reach depth is 20" maximum. Where the reach depth exceeds 20" the high forward reach shall be 44" maximum, and the reach depth shall be 25" maximum. Section 308.2.2
Shelves: Shall be 40" minimum and 48" maximum above the floor. Section 603.4

Diaper Changing Tables: Diaper changing tables shall comply with Sections 309 and 902. Section 603.5

Operable Parts: Operable parts on towel dispensers and hand dryers serving accessible lavatories shall comply with Table 603.6. Section 603.6

Water Closets and Toilet Compartments (Section 604)

General: Accessible water closets and toilet compartments shall comply with Section 604. Compartments containing more than one plumbing fixture shall comply with Section 603. Wheelchair accessible compartments shall comply with Section 604.9. Ambulatory accessible compartments shall comply with Section 604.10.

Location: The water closet shall be located with a wall or partition to the rear and one side. The centerline of the water closet shall be 16" minimum to 18" maximum from the side wall or partition. Water closets located in ambulatory accessible compartments specified in Section 604.10 shall have the centerline of the water closet 17" minimum to 19" maximum from the wall or partition. (604.2)

Size: A clearance around a water closet 60" minimum, measured perpendicular from the sidewall, and 56" minimum, measured perpendicular from the rear wall shall be provided. (604.3.1 & 604.3.2)

Overlap: The required clearance around the water closet shall be permitted to overlap the water closet, associated grab bars, paper dispensers, sanitary napkin receptacles, coat hooks, shelves, accessible routes, clear floor space at other fixtures and the turning space. No other fixtures or obstructions shall be within the required water closet clearance. (604.3.3)

Height: The height of water closet seats shall be 17" minimum and 19" maximum above the floor, measured to the top of the seat. Seats shall not be sprung to return to a lifted position. (604.4)

Grab Bars: Grab bars for water closets shall comply with Section 609 and shall be provided in accordance with Section 604.5.1 and 604.5.2. Grab bars shall be provided on the rear wall and on the side closets to the water closet. (604.5)
Fixed sidewall grab bars shall be 42" minimum in length, located 12" maximum from the rear wall and extending 54" minimum from the rear wall. In addition, a vertical grab bar 18" minimum in length shall be mounted with the bottom of the bar located between 39" and 41" above the floor, and with the center line of the bar located between 39" and 41" from the rear wall. (604.5.1)

Rear wall grab bars – the rear wall grab bars shall be 36" minimum in length and extend from the centerline of the water closet 12" minimum on the side closest to the wall, and 24" minimum to the transfer side. (604.5.2)

Flush Controls: Flush controls shall be hard operated or automatic. Hand operated flush controls shall comply with Section 309. Flush controls shall be located on the open side of the water closet. (604.6)

Dispensers: Toilet paper dispensers shall comply with Section 309.4. Where the dispenser is located above the grab bar, the outlet of the dispenser shall be located within an area 24" minimum and 36" maximum from the rear wall. Where the dispenser is located below the grab bar, the outlet of the dispenser shall be located within an area 24" minimum and 42" maximum from the rear wall. The outlet of the dispenser shall be located 18" minimum and 48" maximum above the floor. Dispensers shall comply with Section 609.3. Dispensers shall not be of a type that control delivery, or do not allow continuous paper flow. (604.7)

Wheelchair Accessible Compartments (Section 604.9)

Size: The minimum area of a wheelchair accessible compartment shall be 60" minimum in width measured perpendicular to the side wall, and 56" minimum in depth for wall hung water closets, and 59" minimum in depth for floor mounted water closets measured perpendicular to the rear wall. (604.9.2.1)

Doors: Toilet compartment doors, including door hardware, shall comply with Section 404, except if the approach is to the latch side of the compartment door clearance between the door side of the stall and any obstruction shall be 42" minimum. The door shall be self-closing. A door pull complying with Section 404.26 shall be placed on both sides of the door near the latch. Toilet compartment doors shall not swing into the required minimum area of the compartment. (604.9.3)

The farthest edge of toilet compartment door opening shall be located on the front wall or partition or in the side wall or partition as required by Table 604.9.3.1 (604.9.3.1)

Approach: Wheelchair accessible compartments shall be arranged for left-hand or right-hand approach to the water closet. (604.9.4)

Toe Clearance: The front partition and at least one side partition shall provide a toe clearance of 9" minimum above the floor and extending 6" beyond the compartment side face of the partition, exclusive of partition support members. (604.9.5.1)

Grab Bars: Grab bars shall comply with Section 609. Side wall grab bars complying with Section 604.5.1 located on the wall closest to the water closet, and rear wall grab bar complying with Section 604.5.2 shall be provided. (604.9.6)

Ambulatory Accessible Compartments (Section 604.10)

Size: The minimum area of an ambulatory accessible compartment shall be 60" minimum in depth and 36" in width. (609.10.2)

Doors: Toilet compartment doors, including door hardware, shall comply with Section 404, except if the approach is to the latch side of the compartment door the clearance between the door side of the compartment and any obstruction shall be 42" minimum. The door shall be self-closing. A door pull complying with Section 404.2.6 shall be placed on both sides of the door near the latch. Compartment doors shall not swing into the required minimum are of the compartment. (604.10.3)

Grab Bars: Grab bars shall comply with Section 609. Side wall grab bars complying with Section 604.5.1 shall be provided on both sides of the compartment. (604.10.4)

Urinals (Section 605)

Height: Urinals shall be of the stall type or shall be of the wall hung type with the rim at 17" maximum above the floor. Wall hung urinals shall be 13 ½" minimum in depth measured from the outer face of the urinal rim to the wall. (605.2)

Clear Floor Space: A clear floor space complying with Section 305, positioned for forward approach, shall be provided. (605.3)

Flush Control: Flush controls shall be hand operated or automatic. Hand operated flush controls shall comply with Section 309. (605.4)

Lavatories and Sinks (Section 606)

Clear Floor Space: A clear floor space complying with Section 305.3, positioned for forward approach, shall be provided. Knee and toe clearance complying with Section 306 shall be provided. The dip of the overflow shall not be considered in determining knee and toe clearances. (606.2)

Height: The front of lavatories and sinks shall be 34" maximum above the floor, measured to the higher of the rim or counter surface. (606.3)

Faucets: Faucets shall comply with Section 309. Hand-operated metering faucets shall remain open for 10 seconds minimum. (606.4)

Lavatories with Enhanced Reach Range: Where enhanced reach range is required at lavatories, faucets and soap dispenser controls shall have a reach depth of 11" maximum or, if automatic, shall be activated within a reach depth of 11" maximum. Water and soap flow shall be provided with a reach depth of 11" maximum. (606.5)

Exposed Pipes and Surfaces: Water supply and drainpipes under lavatories and sinks shall be insulated or otherwise configured to protect against contact. There shall be no sharp or abrasive surfaces under lavatories and sinks. (606.6)

Signs (Section 703 – See Section for Additional Requirements)

Braille

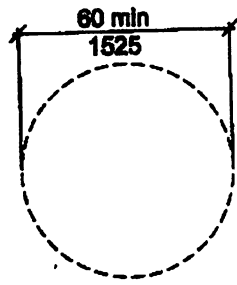
Position: Braille shall be below the corresponding text. If text is multilined, braille shall be placed below entire text. Braille shall be separated by 3/8" minimum from any other raised characters & 3/8" minimum from raised borders and decorative elements. (703.4.4)

Mounting Height: Braille shall be 48" minimum and 60" maximum above the floor, measured to the baseline of the braille cells. (703.1.5)

Pictograms:

Field: Pictograms shall have a field 6" minimum in height. Characters or braille shall not be located in the pictogram field. (703.5.2)

Finish and Contrast: Pictograms and their fields shall have a nonglare finish. Pictograms shall contrast with their fields, with either a light pictogram on a dark field or a dark pictogram on a light field. (703.5.3)



(a) Circular

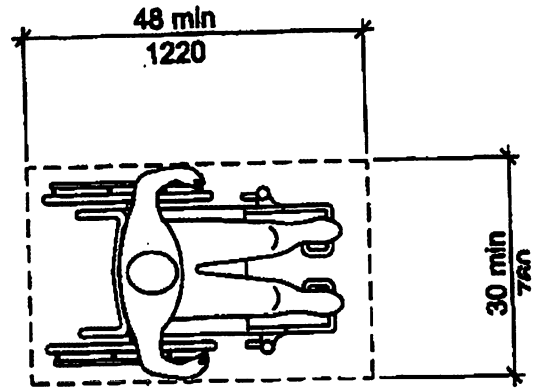
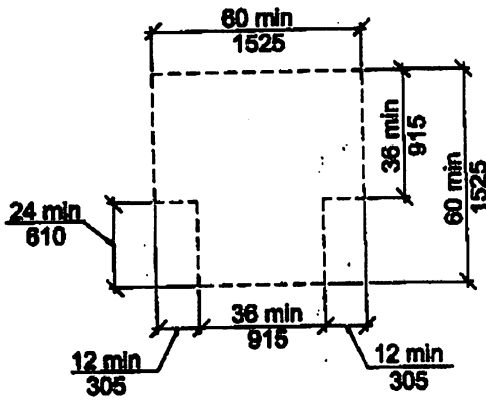
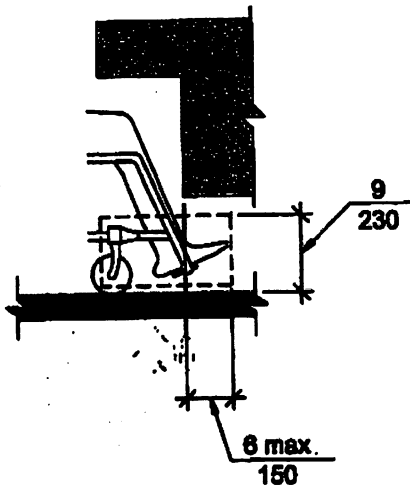


FIG. 303.3
SIZE OF CLEAR FLOOR SPACE

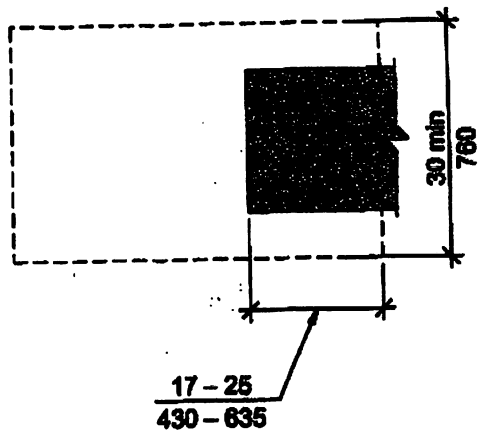


(b) T-shaped

FIG. 304.3
SIZE OF TURNING SPACE

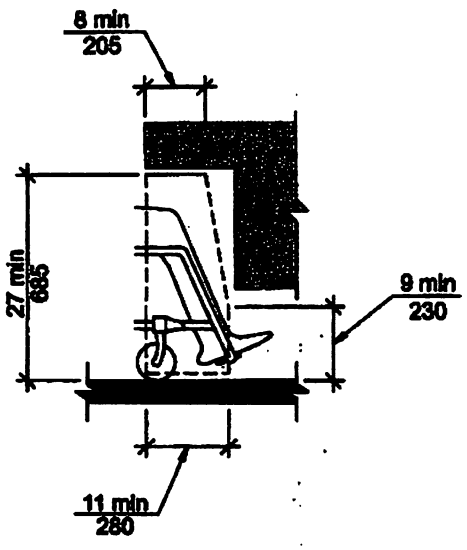


(a)
Elevation

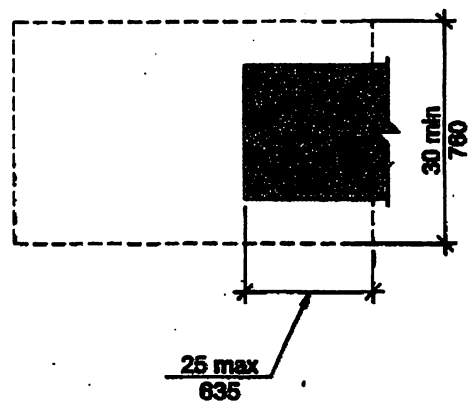


(b)
Plan

FIG. 308.2
TOE CLEARANCE



(a)
Elevation



(b)
Plan

FIG. 308.3
KNEE CLEARANCE

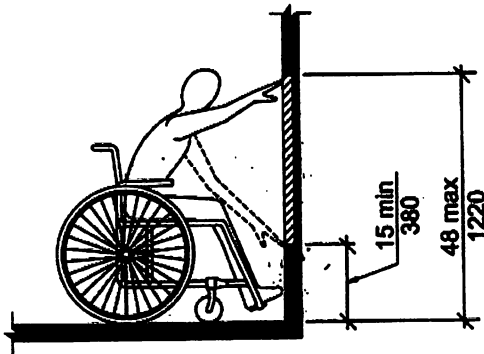


FIG. 308.2.1
UNOBSTRUCTED FORWARD REACH

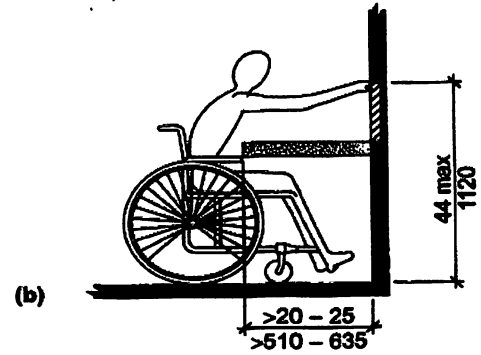
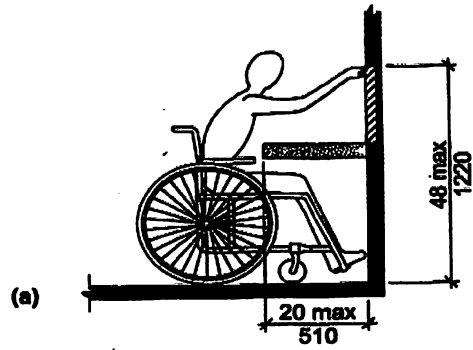


FIG. 308.2.2
OBSTRUCTED HIGH FORWARD REACH

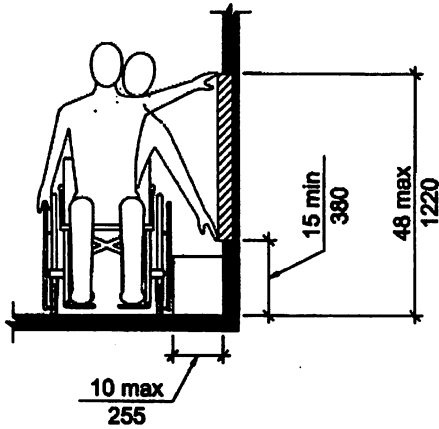


FIG. 308.3.1
UNOBSTRUCTED SIDE REACH

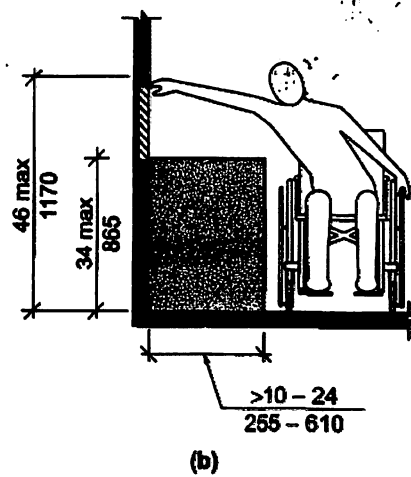
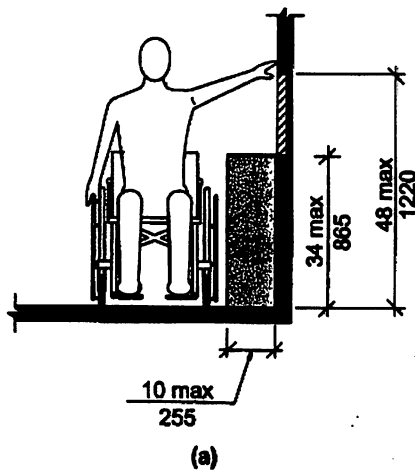
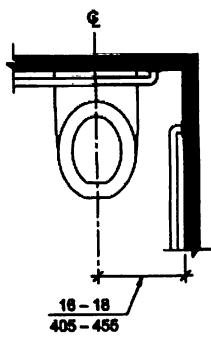


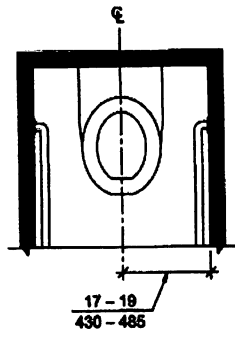
FIG. 308.3.2
OBSTRUCTED HIGH SIDE REACH

**TABLE 603.6
MAXIMUM REACH DEPTH AND HEIGHT**

Maximum Reach Depth	0.5 inch (13 mm)	2 inches (51 mm)	5 inches (125 mm)	6 inches (150 mm)	9 inches (230 mm)	11 inches (280 mm)
Maximum Reach Height	48 inches (1220 mm)	46 inches (1170 mm)	42 inches (1065 mm)	40 inches (1015 mm)	36 inches (915 mm)	34 inches (865 mm)

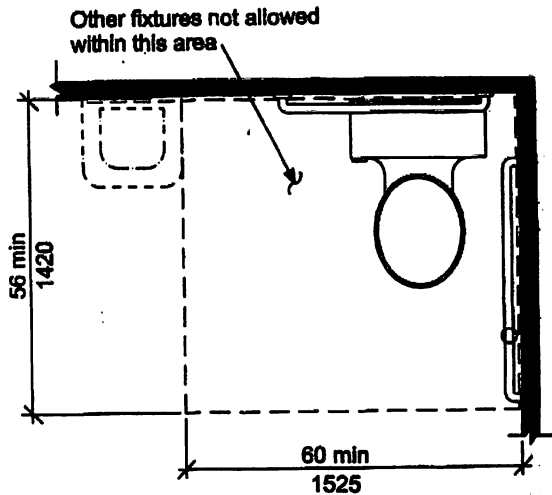


(a) Accessible Water Closets

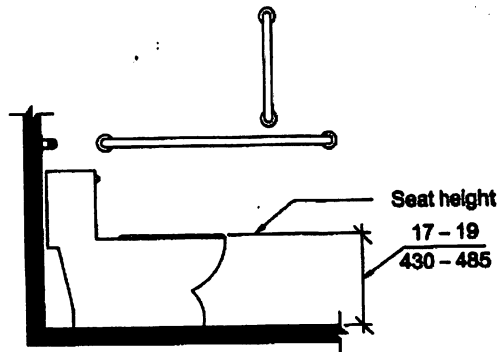


(b) Ambulatory Accessible Water Closets

**FIG. 604.2
WATER CLOSET LOCATION**

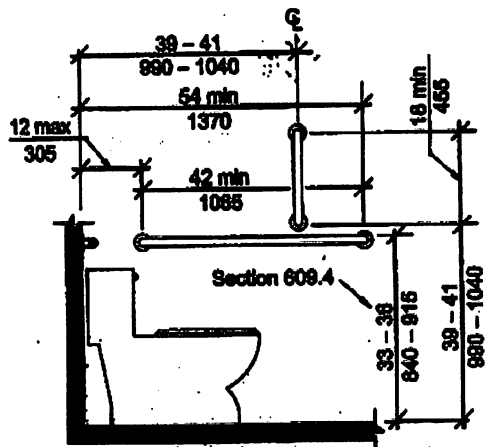


**FIG. 604.3
SIZE OF CLEARANCE FOR WATER CLOSET**



Note: For children's dimensions see Fig. 604.11.4

**FIG. 604.4
WATER CLOSET SEAT HEIGHT**



Note: For children's dimensions see Fig. 609.4.2

FIG. 604.5.1
SIDE WALL GRAB BAR FOR WATER CLOSET

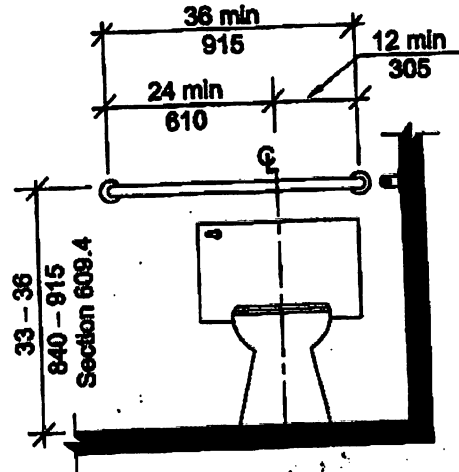
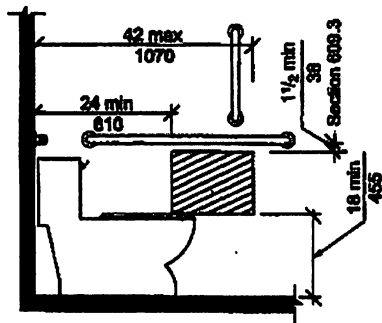
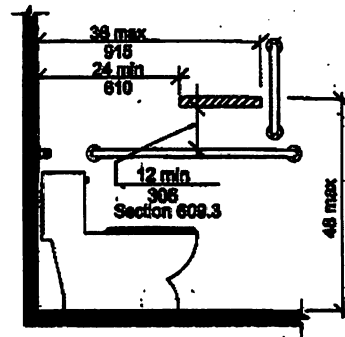


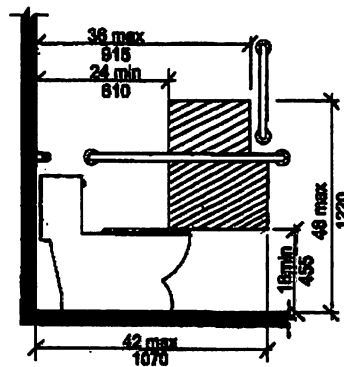
FIG. 604.5.2
REAR WALL GRAB BAR FOR WATER CLOSET



(a) Protruding Dispenser Below Grab Bar

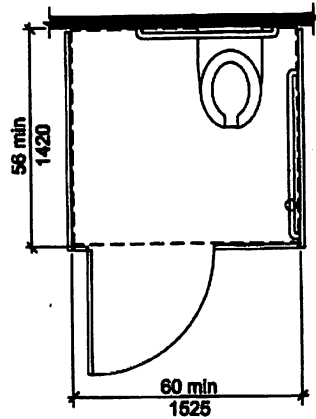


(b) Protruding Dispenser Above Grab Bar

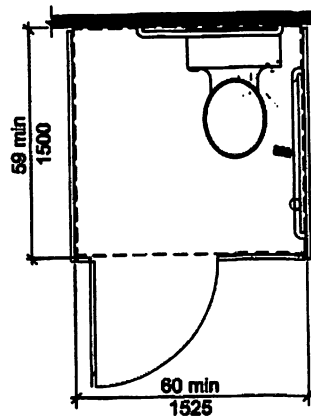


(c) Recessed Dispenser

FIG. 604.7
DISPENSER OUTLET LOCATION



(a) Wall-Hung Water Closet - Adult

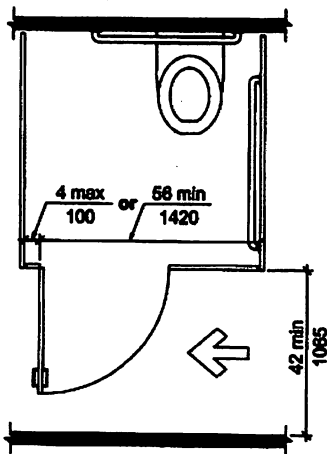


(b) Floor-Mounted Water Closet - Adult
Wall-Hung and
Floor-Mounted Water Closet - Children

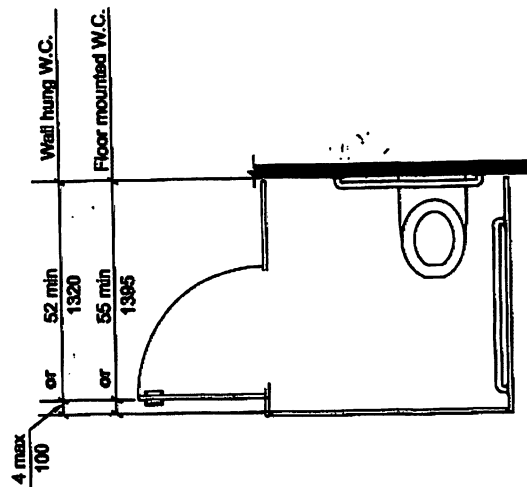
FIG. 604.9.2
WHEELCHAIR ACCESSIBLE TOILET COMPARTMENTS

TABLE 604.9.3.1—DOOR OPENING LOCATION

Door Opening Location	Measured From	Dimension
Front Wall or Partition	From the side wall or partition closest to the water closet	56 inches (1420 mm) minimum
	or	
Side Wall or Partition Wall-Hung Water Closet	From the side wall or partition farthest from the water closet	4 inches (100 mm) maximum
	From the rear wall	52 inches (1320 mm) minimum
Side Wall or Partition Floor-Mounted Water Closet	or	
	From the front wall or partition	4 inches (100 mm) maximum
	From the rear wall	55 inches (1395 mm) minimum
Side Wall or Partition Floor-Mounted Water Closet	or	
	From the front wall or partition	4 inches (100 mm) maximum



(a) Front partition



(b) Side wall or partition

FIG. 604.9.3.1
WHEELCHAIR ACCESSIBLE COMPARTMENT DOOR OPENINGS

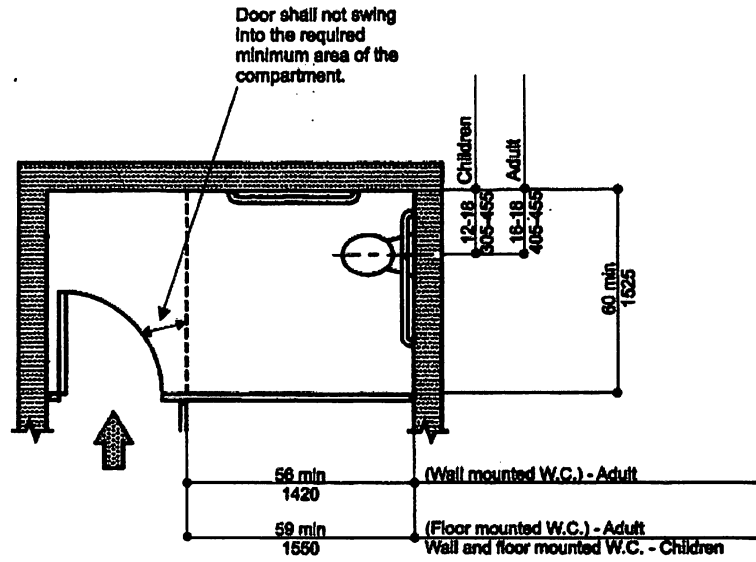


FIG. 604.9.3.1 (C)
WHEELCHAIR ACCESSIBLE COMPARTMENT DOOR OPENINGS—ALTERNATE

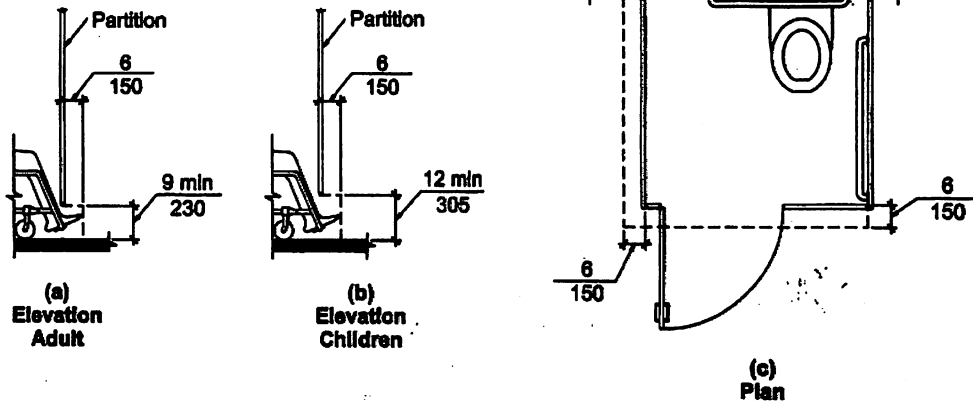
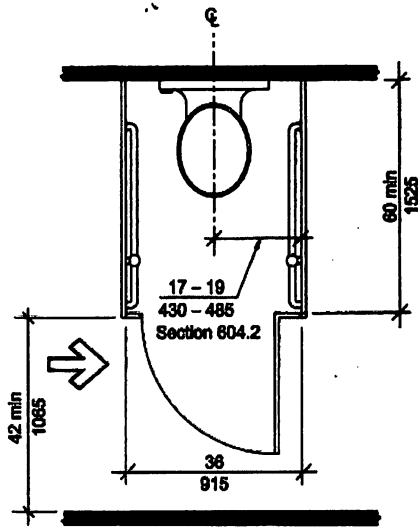
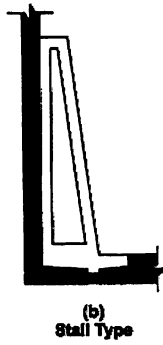
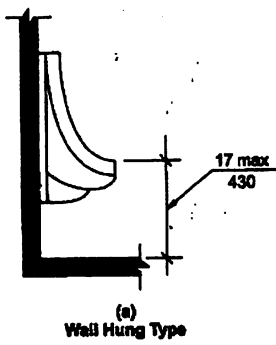


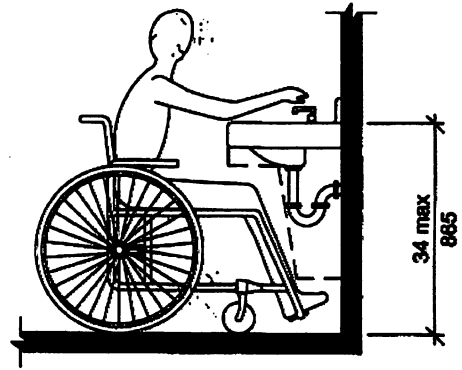
FIG. 604.9.5
WHEELCHAIR ACCESSIBLE COMPARTMENT TOE CLEARANCE



**FIG. 604.10
AMBULATORY ACCESSIBLE COMPARTMENT**



**FIG. 605.2
HEIGHT OF URINALS**



**FIG. 606.3
HEIGHT OF LAVATORIES AND SINKS**

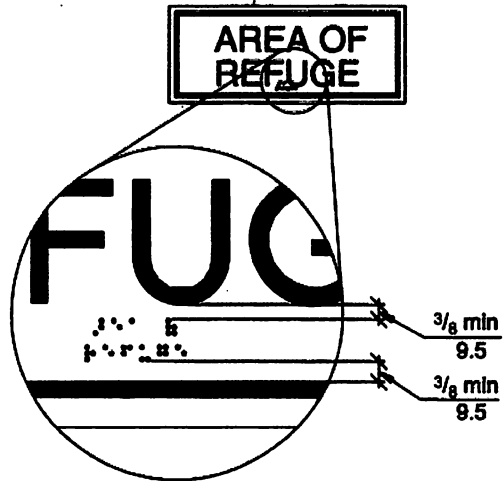


FIG. 703.4.4
POSITION OF BRAILLE

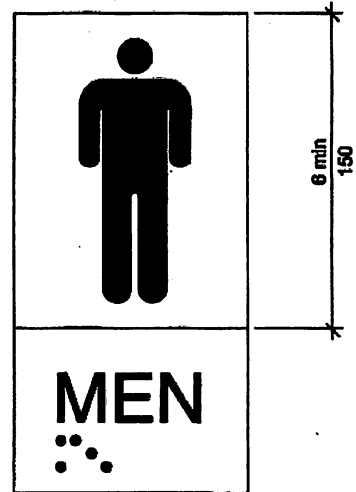
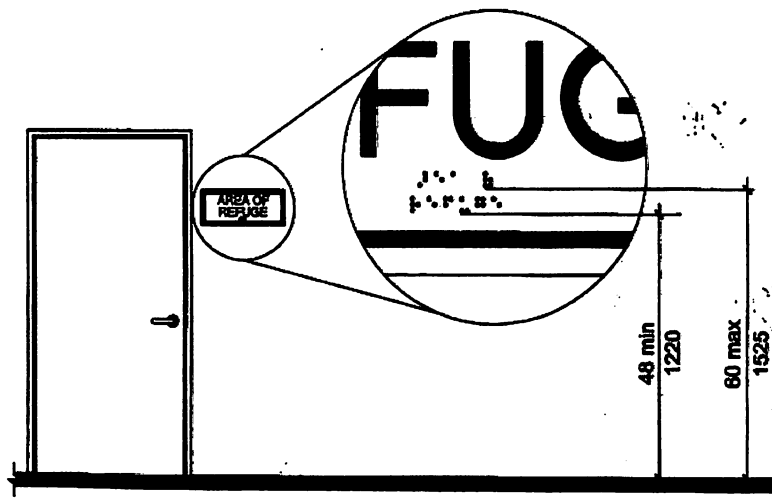


FIG. 703.5
PICTOGRAM FIELD



Note: For raised character mounting height see Section 703.3.10

FIG. 703.4.5
HEIGHT OF BRAILLE CHARACTERS ABOVE FLOOR

THIS CHECKLIST IS ONLY A PORTION OF WHEELCHAIR ACCESSIBLE BATHROOM REQUIREMENTS (required by IBC 1109.2.2). PLEASE REFER TO FULL ICC/ANSI A117.1 STANDARDS.

- ___ Distance from wall to centerline of toilet (16"-18")
- ___ Height of toilet measured to top of seat (17"-19")
- ___ Flush control on open side of toilet
- ___ Toilet **compartment (stall)** - 60" clearance around toilet x 59" in depth (floor mount toilets)
- ___ Toilet **compartment** doors cannot swing into clear area around toilet
- ___ Toilet **room** (toilet & lav only) 60" clearance from wall adjacent to toilet to edge of lav
- ___ Toilet **room** - 60" turnaround space within room.
- ___ Toilet **room** – door cannot swing into clear floor space or clearance of fixtures (unless the room is for a single user with only 1 lav & 1 toilet – and there is a 30" x 48" space beyond arc of door)
- ___ Rear grab bar (36" min), side grab bar (42" min)
- ___ Measurement to **TOP** of horizontal grab bars (33"-36")
- ___ Side horizontal grab bar –begin max. 12" from back wall and end 54" min. from back wall.
- ___ Rear grab bar – 12" min from centerline of toilet on wall side, 24" min from center on other
- ___ Vertical grab bar – 18". Min 39"-41" from back wall, 39"-41" AFF
- ___ Toilet compartment door to be self-closing with door pull on both sides of door near latch.

- ___ Toilet paper dispenser – min. 12" above grab bar, max 48" AFF to paper; Or min. 1-1/2" below grab bar and min. 18" AFF to paper.
- ___ Toilet paper dispenser located above the grab bar - dispenser located 24" min. and 36" max from end wall; or toilet paper dispenser below grab bar –dispenser 24" min. and 42" max from end wall.

- ___ Height to top of lav (34")
- ___ Clear space - 30" wide and 48" deep at lav (36" wide if in alcove >24" deep)
- ___ Do not place dispensers within clear space
- ___ Knee and toe clearance under lav (see diagram)
 - ___ Toe clearance between floor and 9" AFF – min. 17" from front edge of lav
 - ___ Knee clearance @ 9" AFF – min. 11" from front edge of lav
 - ___ Knee clearance @ 15" AFF – min. 10" from front edge of lav
 - ___ Knee clearance @ 21" AFF – min. 9" from front edge of lav
 - ___ Knee clearance @ 27" AFF – min. 8" from front edge of lav
- ___ Water and drainpipes under lav to be insulated to protect against contact

- ___ Mirror – max 40" AFF to reflective surface
- ___ Reach range height to dispensers, etc.– Unobstructed – 48". Obstructed – reduced height
- ___ Coat hook max 48" AFF
- ___ 18" clear required on pull side of door
- ___ Min. 18" maneuvering clearance on pull side of door (could be more depending on approach).
- ___ Provide accessible signs as shown on Figure 703.4.5